

BJ30 Series Peristaltic Pump

57 Stepper Motor Peristaltic Pump



- Pump head optional, replaceable and stackable
- Easy replace tubing, various standard tube sizes
- Equipped with Japan imported 57 NMB stepper motor , high accuracy and stability, long service life, low noise
- OEM support
- Widely used in medical, environmental, industrial analyzer

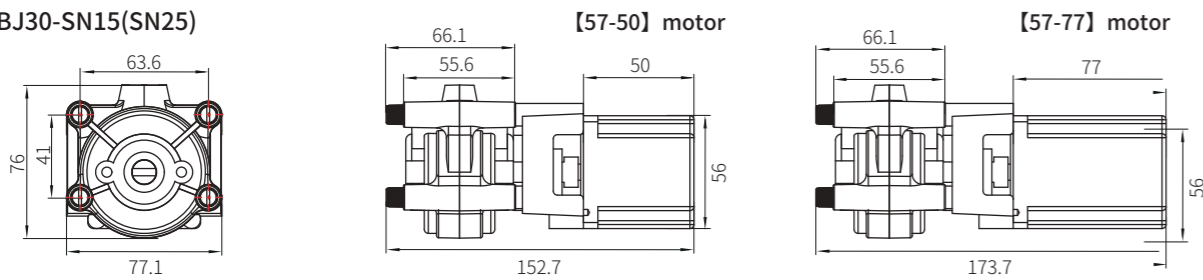
Pump Head



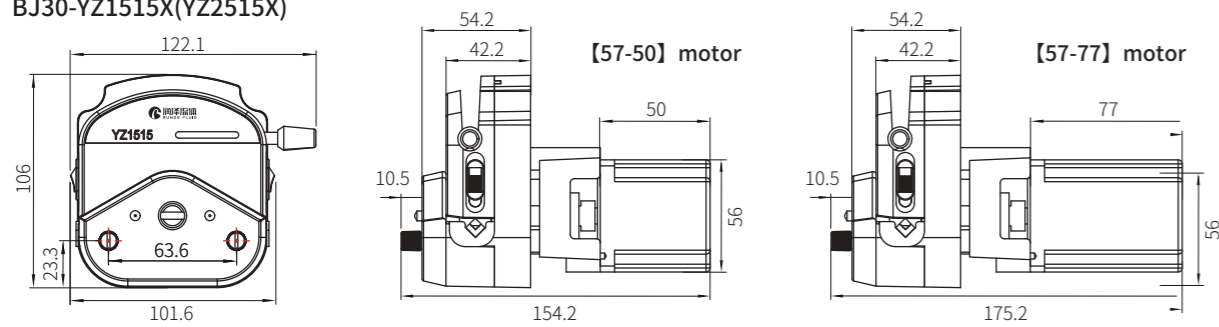
Note : Refer to page P37 for pump tube installation[SN15]and[YZ1515X/YZ2515X]

Dimension (unit: mm)

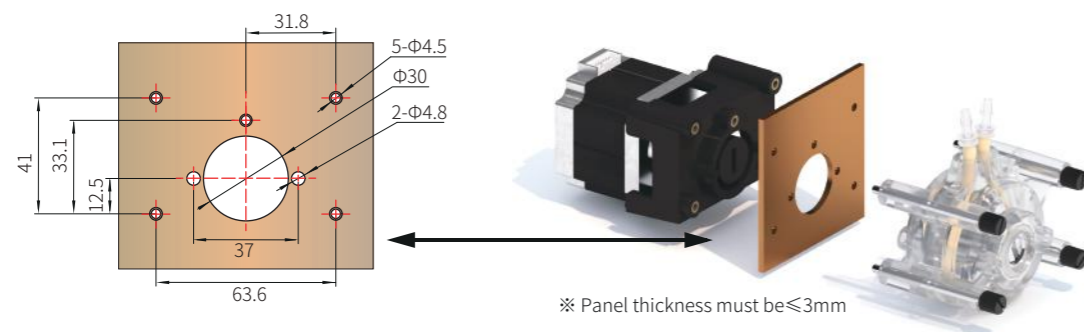
BJ30-SN15(SN25)



BJ30-YZ1515X(YZ2515X)



Installation Diagram: Panel Mounting Hole Dimension (Unit: mm)



Technical Parameter

Model No.	Motor Type	Motor Type	Speed	Net Weight	Working Environment	Max.DB
BJ30	NMB 57 step motor	1.5A 【57-50】 2.3A 【57-77】	≤400rpm	671g 【57-50】 1148g 【57-77】	Temp. 0~40°C Humidity <80%	70dB

【57-50】 motor				【57-77】 motor				Motor Wire		
Max. power	12W	Resistance	1.15Ω±0.17	Max. power	18.8W	Resistance	1.7Ω±0.17	Port	57-50 motor	57-77 motor
Step angle	1.8°	Inductance	1.85mH REF	Step angle	1.8°	Inductance	7mH REF	A+	Red	Orange
Phase	2	Insulation	100m Ω MIN	Phase	2	Insulation	100m Ω MIN	A-	Yellow	Blue
Phase volt	2.6V	Temp.	80°C MAX	Phase volt	4.0V	Temp.	80°C MAX	B+	Blue	Red
Phase current	2.3A	Insulation grade	B	Phase current	2.35A	Insulation grade	B	B-	Orange	Yellow

Flow Rate Table (14# 16# - 57 small motor; 15# 17# 18# 24# 25# 57 big motor)

Model No.	Pump head	Color	Rollers	Max. Flow Rate ml/min					
				14#	16#	25#	17#	15#	24#
BJ30	SN15-3	semi-opaque	3	68 (300rpm)	270 (300rpm)	573 (300rpm)	997 (300rpm)	—	—
	SN15-6		6	56 (300rpm)	192 (300rpm)	—	—	—	—
	SN25-3		3	—	—	—	—	517 (300rpm)	—
	YZ1515X-3B	white	3	117 (400rpm)	389 (400rpm)	752 (400rpm)	1249 (400rpm)	—	—
	YZ1515X-3H	black		—	—	—	—	—	—
	YZ1515X-6B	white	6	76 (400rpm)	244 (400rpm)	—	—	—	—
	YZ1515X-6H	black		—	—	—	—	—	—
	YZ2515X-3B	white	3	—	—	—	—	783 (400rpm)	1295 (400rpm)
	YZ2515X-3H	black		—	—	—	—	—	—

Note: Test under room temperature 20°C and no external pressure (water), flow rate may vary from different media, condition, pressure, humidity, temperature etc. The date for reference only.